

DESCRIPTION

Dahltram® S-150GF is a cost effective, low temperature use, technical resin for additive manufacturing with a maximum recommended use temperature of 88°C (190°F). It is reinforced with glass fiber as an economical solution for additive manufacturing. Dahltram® S-150GF is ideal for room temperature applications, rapid prototypes, functional mockups, and low temperature tooling.

BENEFITS

- Industrial grade glass fiber offers affordable performance with excellent impact and flexural properties.
- Dahltram® S-150GF is a cost-effective solution ideal for rapid prototyping, functional mockups, low-rate production, room temperature tooling, low temp masters, and much more.
- Easy to process, dimensionally stable, for successful first-time prints.

TECHNICAL DATA

Physicals	Typical Values	Test Method
Base Polymer	Modified ABS	
Reinforcements	Glass Fibre	
% Fibre Loading	20%	
Tensile Strength		
X Direction	7.9 ksi (54.5 MPa)	Modified ASTM D638
Z Direction	4.9 ksi (33.4 MPa)	Modified ASTM D638
Tensile Modulus		
X Direction	0.7 Msi (4.8 GPa)	Modified ASTM D638
Z Direction	0.5 Msi (3.4 GPa)	Modified ASTM D638
Flexural Strength		
X Direction	12.1 ksi (83.4 MPa)	Modified ASTM D790
Z Direction	8.2 ksi (56.5 MPa)	Modified ASTM D790
Flexural Modulus		
X Direction	0.7 Msi (4.8 GPa)	Modified ASTM D790
Z Direction	0.4 Msi (2.8 GPa)	Modified ASTM D790
HDT, 1.82 MPa, 3.22 mm	101°C (214°F)	ASTM D648 (Annealed)
Density as Printed	1.17 g/cc (0.042 lb/in ³)	ASTM D792

*Where X is the bead print direction and Z is through the bead thickness.

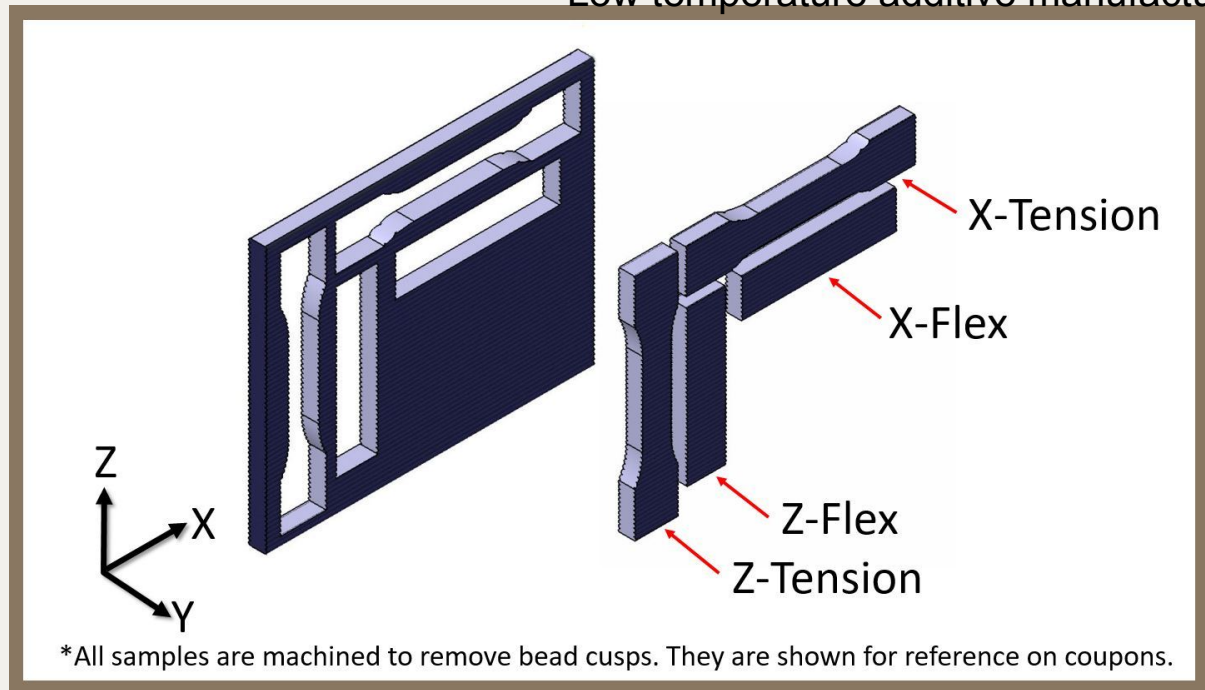
SIZES

Weight	Packaging	Form
25 kg (55 lb)	Bag	Pellet
100 kg (220 lb)	Drum	Pellet
590 kg (1,300 lb)	Box	Pellet

Fiche Technique

DAHLTRAM® S-150GF

Low temperature additive manufacturing

**SUSTAINABILITY**

Can be recycled



Recyclable packaging

NOTES

- As-printed mechanics are for 12.7mm nozzle, 21 x 5mm beads, and printed under recommended extrusion and drying conditions.
- Properties are for virgin grade material. Airtech makes no claims for material that has been reprocessed and re-extruded.
- For comprehensive thermomechanical data and processing parameters contact your Airtech account manager.
- The maximum use temperature is dependent upon the duration at maximum temperature, and is process specific, Airtech recommends testing prior to use.
- Shelf life unlimited when stored in original packaging at 22°C (72°F).